

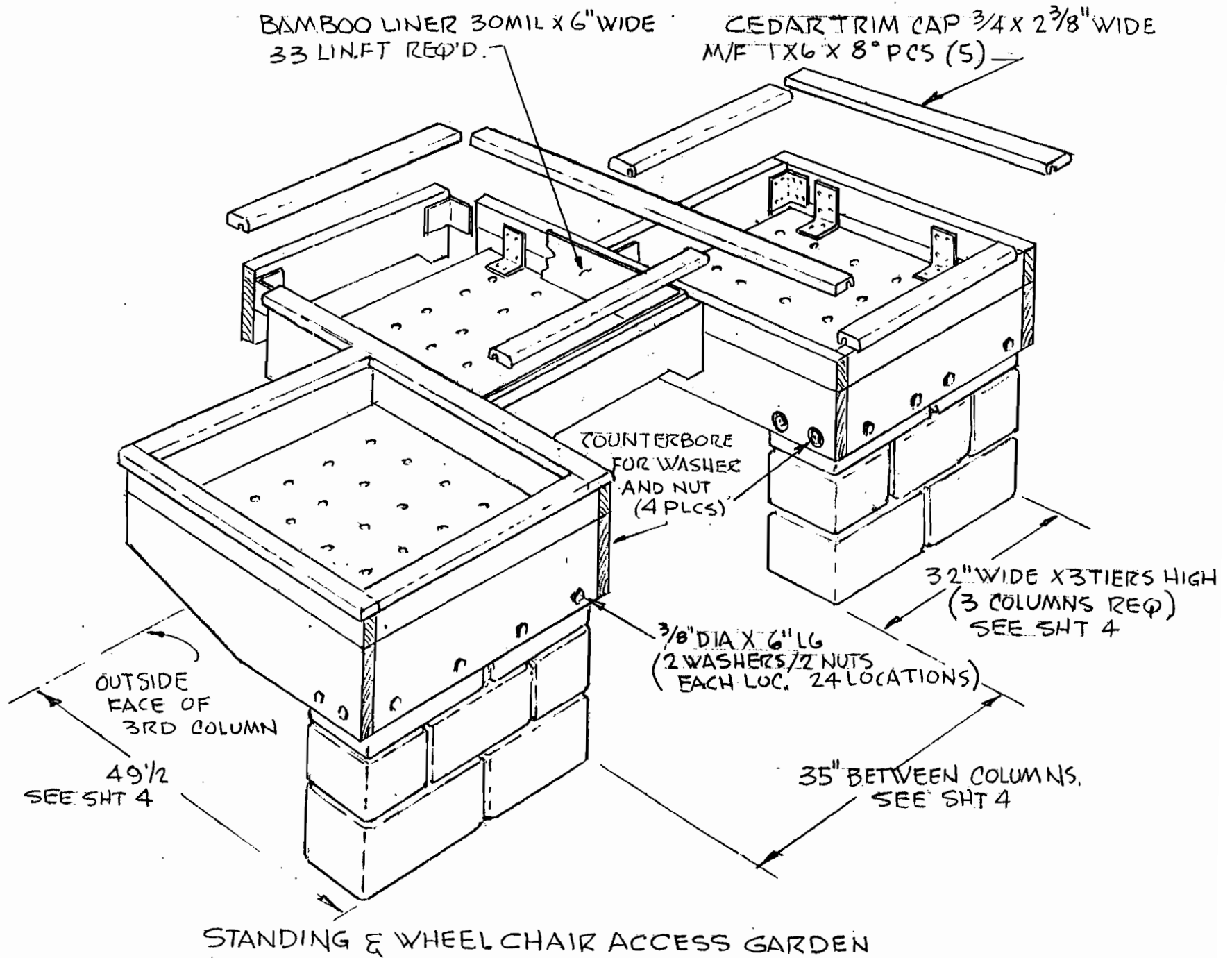
WEED BLOCK REQ'D
EACH AREA

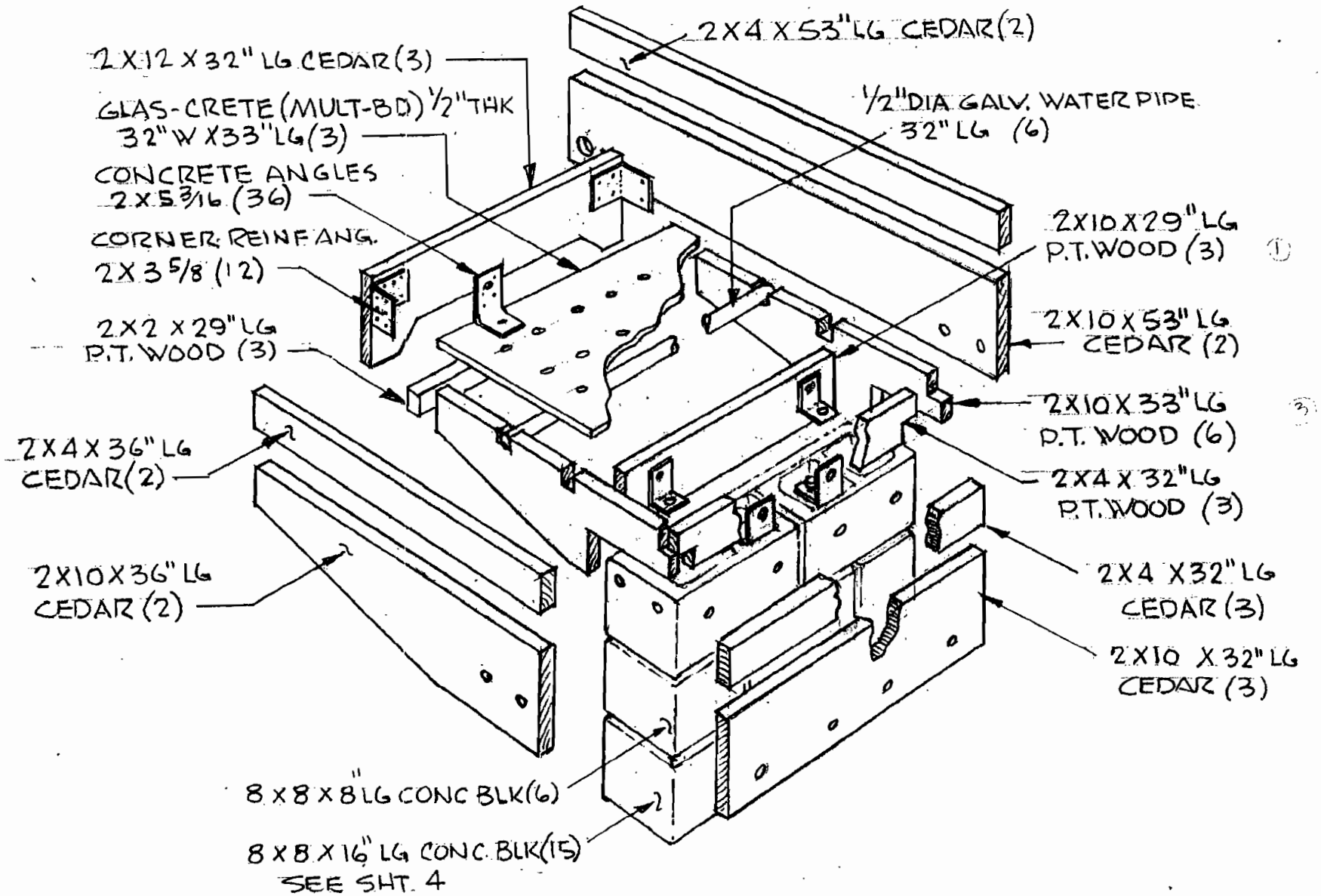
STANDING & WHEEL CHAIR ACCESS GARDEN
ENABLING GARDEN PROJECT # 4

APPROVAL
WSU/SKAGIT COUNTY

SHT 1 OF 4 SHTS

PREP BY BOB EMERSON





STANDING & WHEEL CHAIR ACCESS GARDEN

SHT 3 OF 4 SHTS

PREP BY BOB EMERSON

CELLS OF BLOCK
TO BE FILLED WITH CONCRETE
AFTER WOODEN GARDEN STRUCT
HAS BEEN INSTALLED.

MAINTAIN SAME
32" WIDTH ALL COLS

1/2"

1/2"

32"

MAINTAIN
SAME HEIGHT
ALL 3 COLUMNS

USE 8" X 8" X 16" AND
8" X 8" X 8" CONC. BLK.

2

MAINTAIN
49 1/2" DIMENSION
AT TOP OF COLS.

FOUNDATION SIZE
1. BE PER UNIV. APPROVAL
2. SIZE, QTY. AND SPACING
OF REINF. STEEL ROD
TO BE PER APPROVAL

STANDING & WHEEL CHAIR
ACCESS GARDEN

SHT 4 OF 4 SHTS

PREP. BY BOB EMERSON