

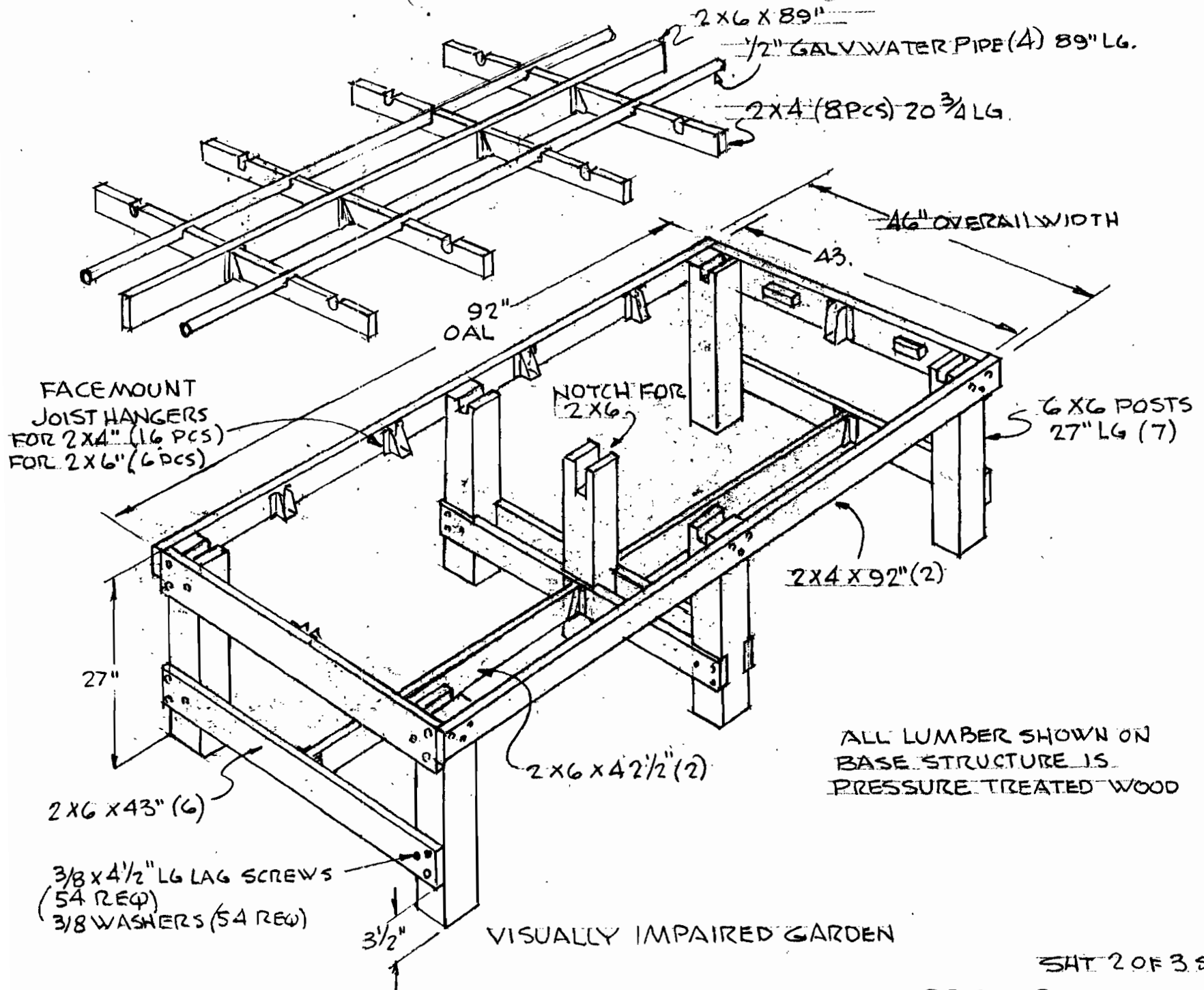
VISUALLY IMPAIRED GARDEN
ENABLING GARDEN PROJECT #1

APPROVAL

WSU/SKAGIT COUNTY

SHT 1 OF 3 SHTS

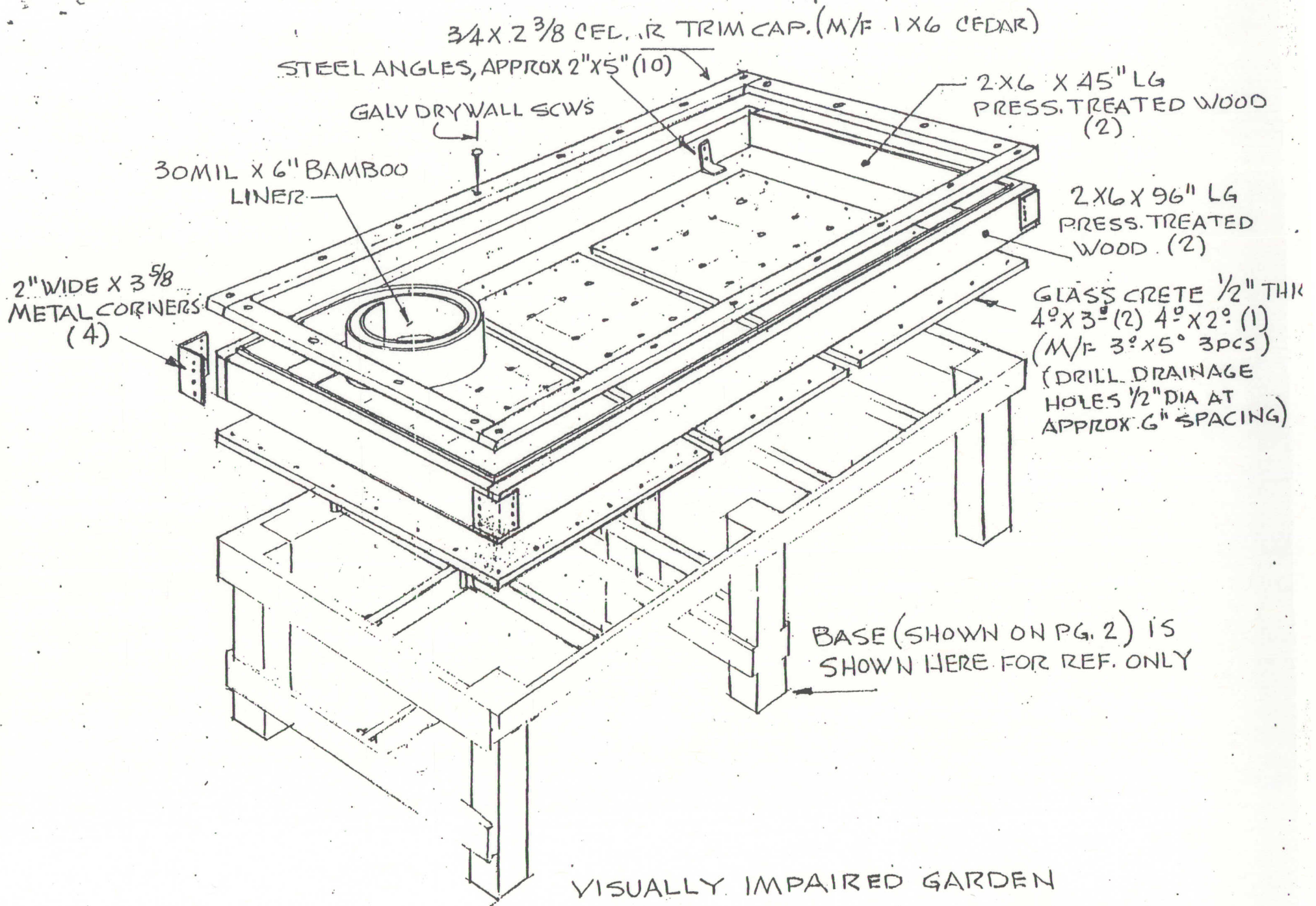
PREP. BY BOB EMERSON



VISUALLY IMPAIRED GARDEN

SHT 2 OF 3 SHTS

PREP BY BOB EMERSON



SHT 3 OF 3 SHTS
 PREP. BY BOB EMERSON