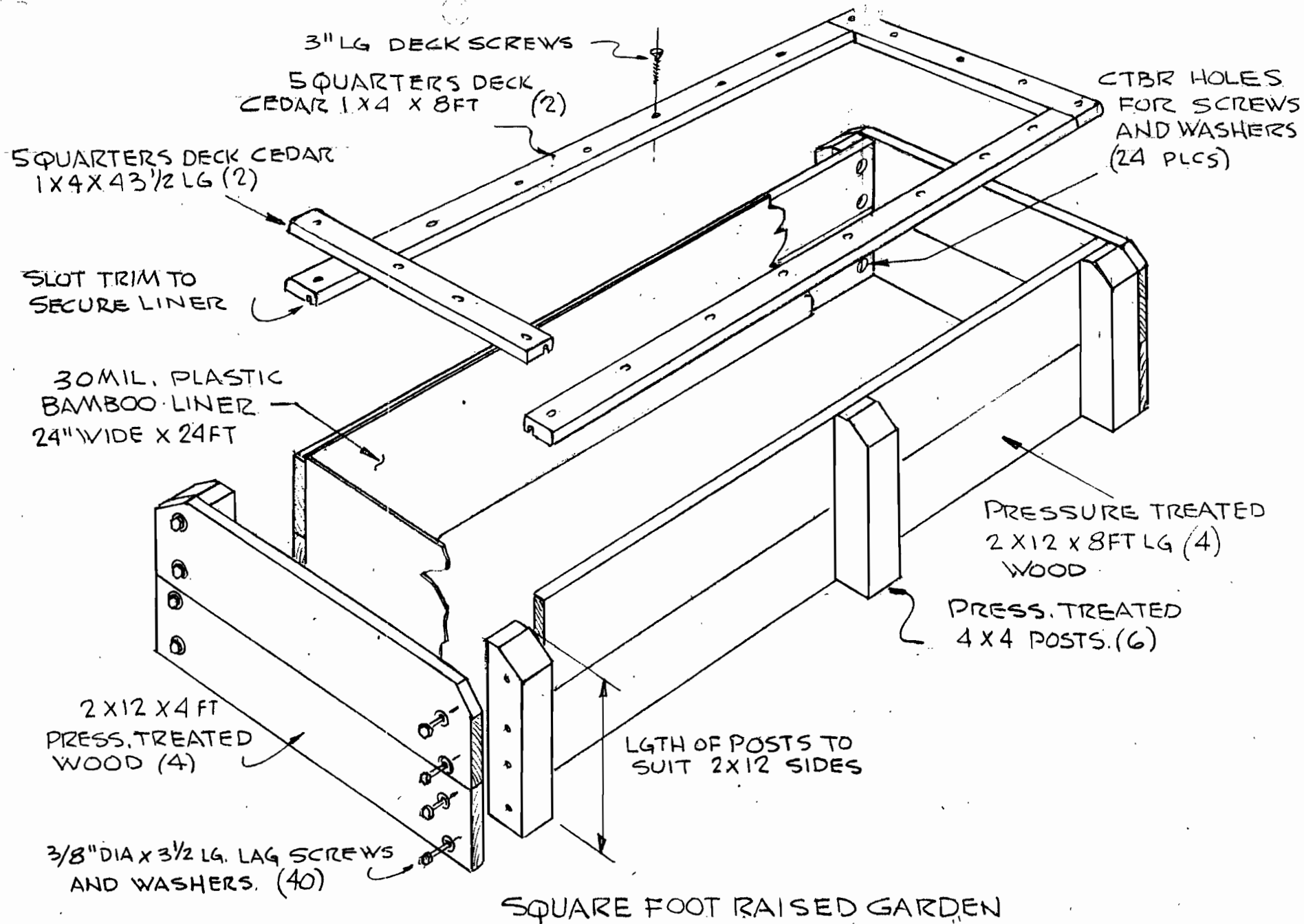


WIRE SCREW EYES
(OPTIONAL)

APPROVAL
WSU/SKAGIT COUNTY

SQUARE FOOT RAISED GARDEN
ENABLING GARDEN PROJECT # 2

SHT. 1 OF 2 SHTS
PREP BY BOB EMERSON



SHT 2 OF 2 SHTS
 PREP BY BOB EMERSON