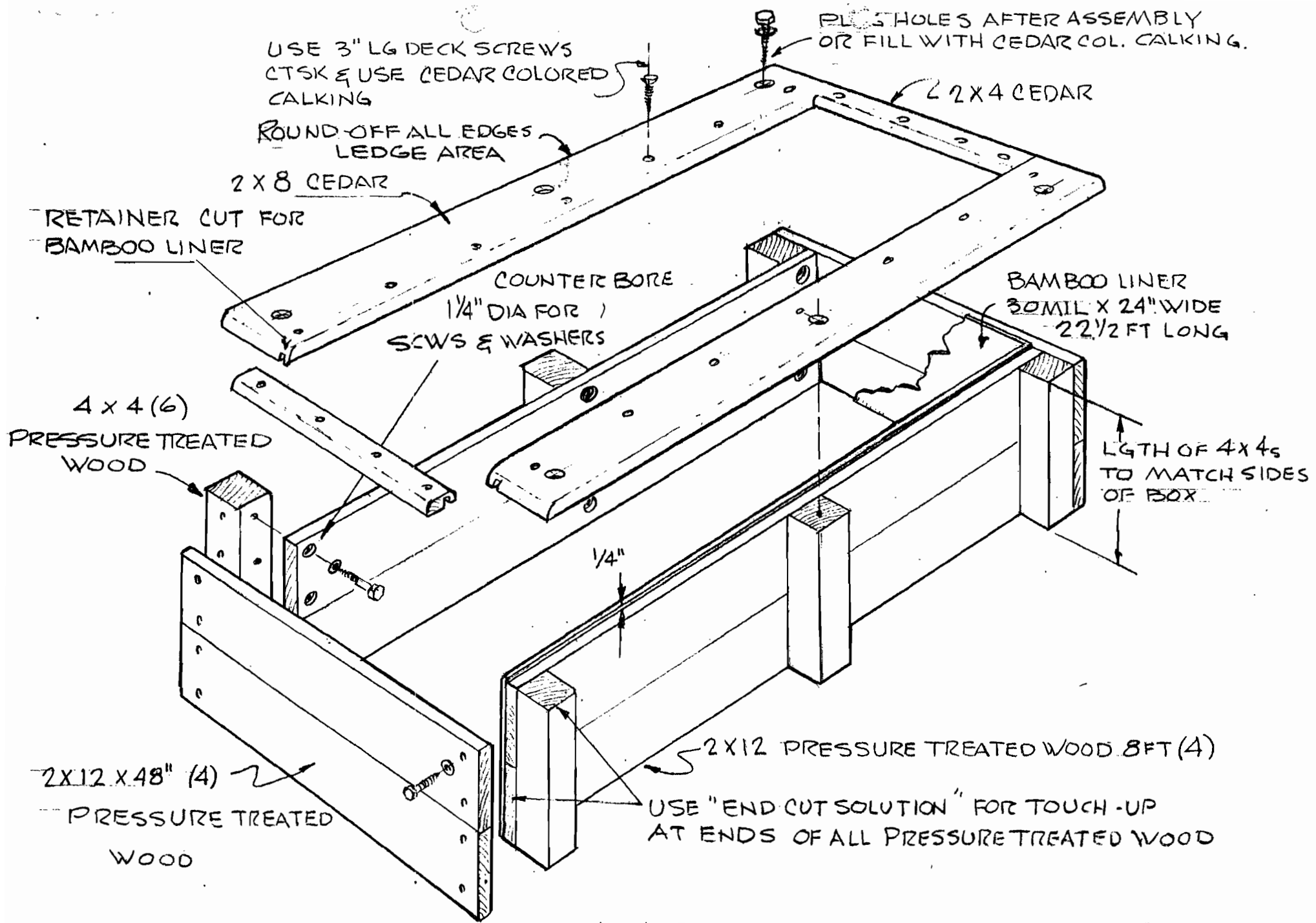


SITTING LEDGE GARDEN
ENABLING GARDEN PROJECT #5

APPROVAL
WSU/SKAGIT COUNTY

SHT 1 OF 2 SHTS

PREP. BY BOB EMERSON



SITTING LEDGE GARDEN
ENABLING GARDEN PROJECT #5

SHT 2 OF 2 SHTS

PREP. BY BOB EMERSON