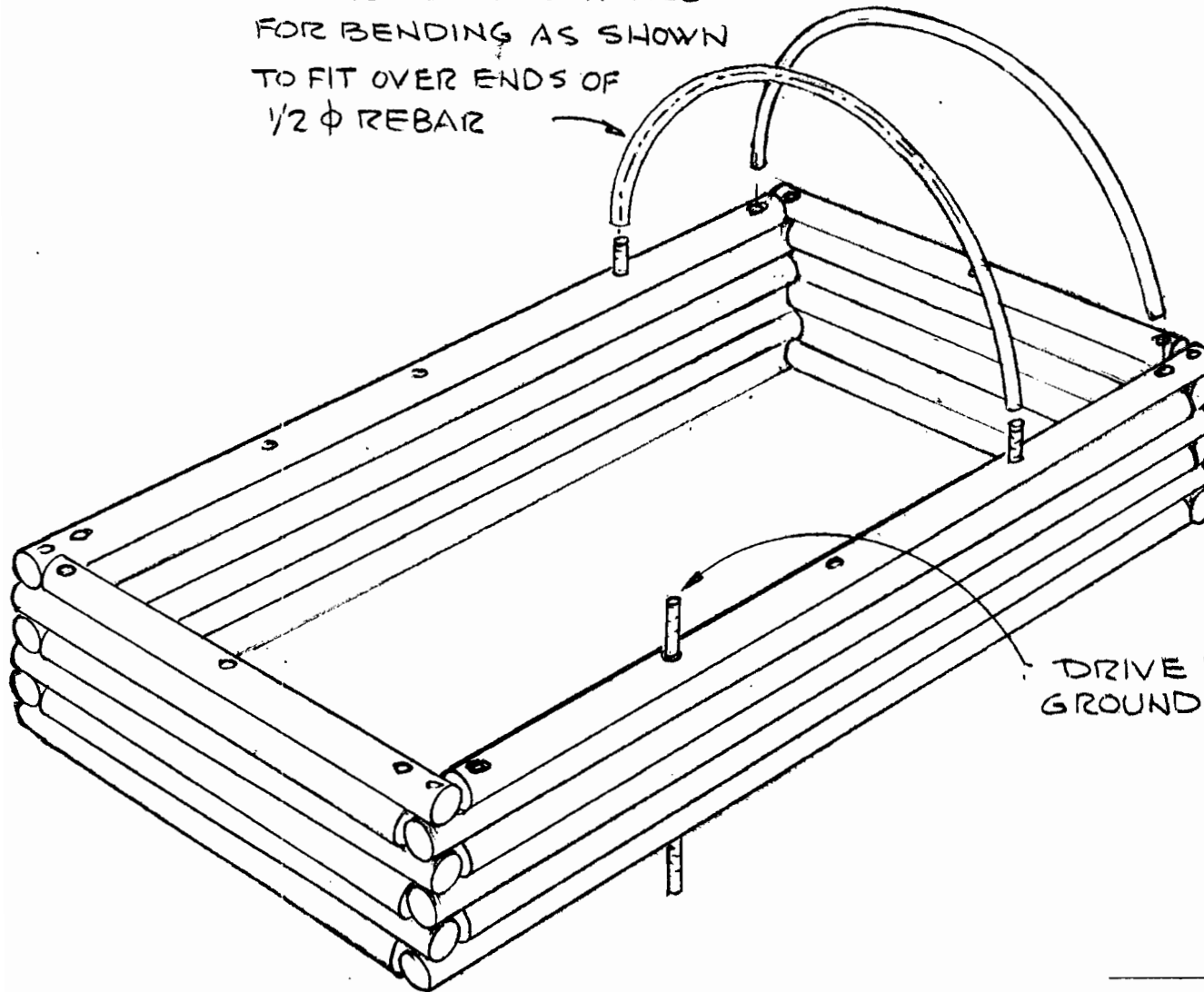


PLASTIC TUBING SUITABLE
FOR BENDING AS SHOWN
TO FIT OVER ENDS OF
1/2 ϕ REBAR



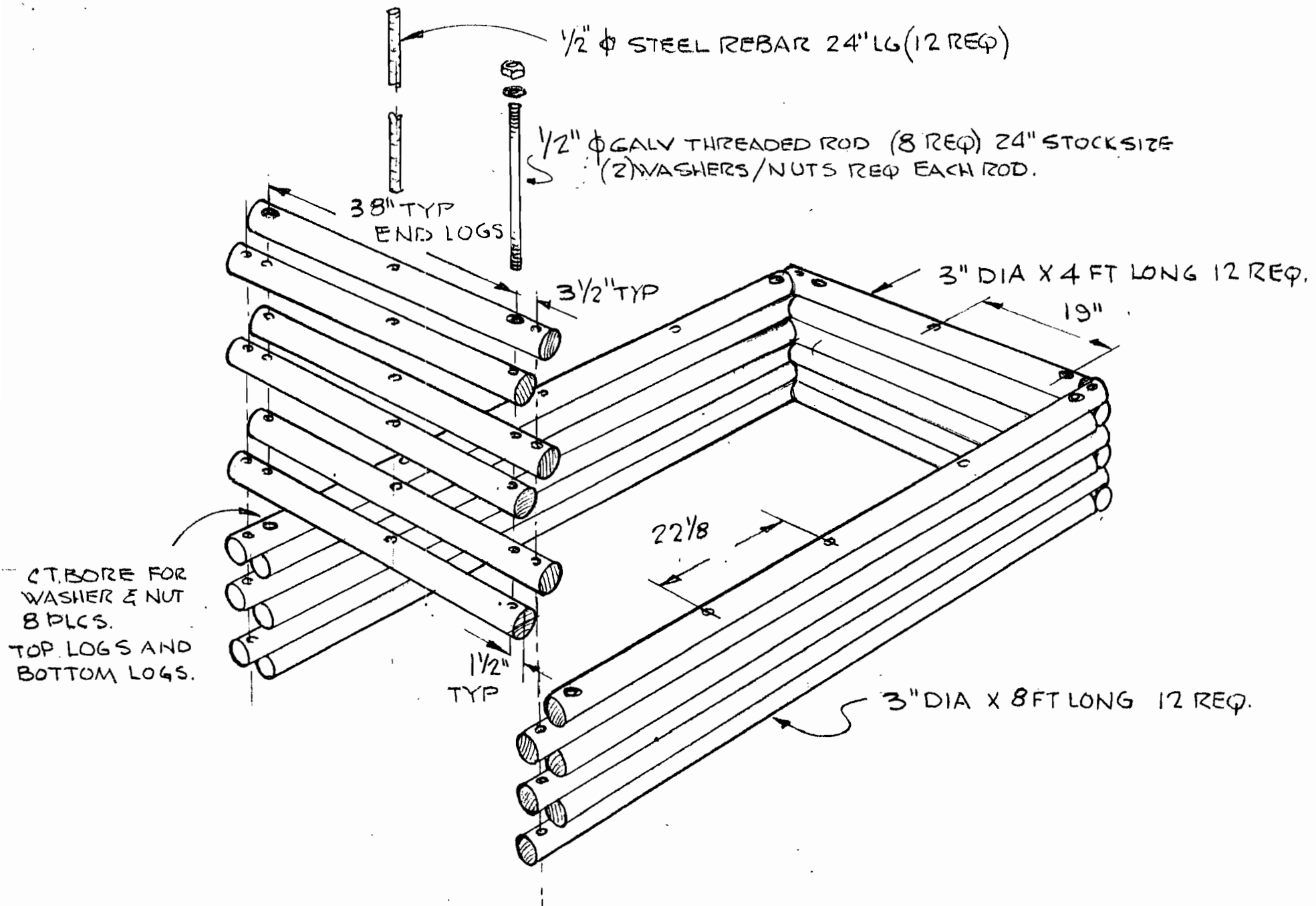
DRIVE REBAR INTO
GROUND AT INSTALLATION

APPROVAL
WSU/SKAGIT COUNTY

LOG SIDES GARDEN
ENABLING GARDEN PROJECT #6

SHT 1 OF 2 SHTS

PREP BY BOB EMERSON



LOG SIDES GARDEN
 APPROX 4 FT X 8 FT