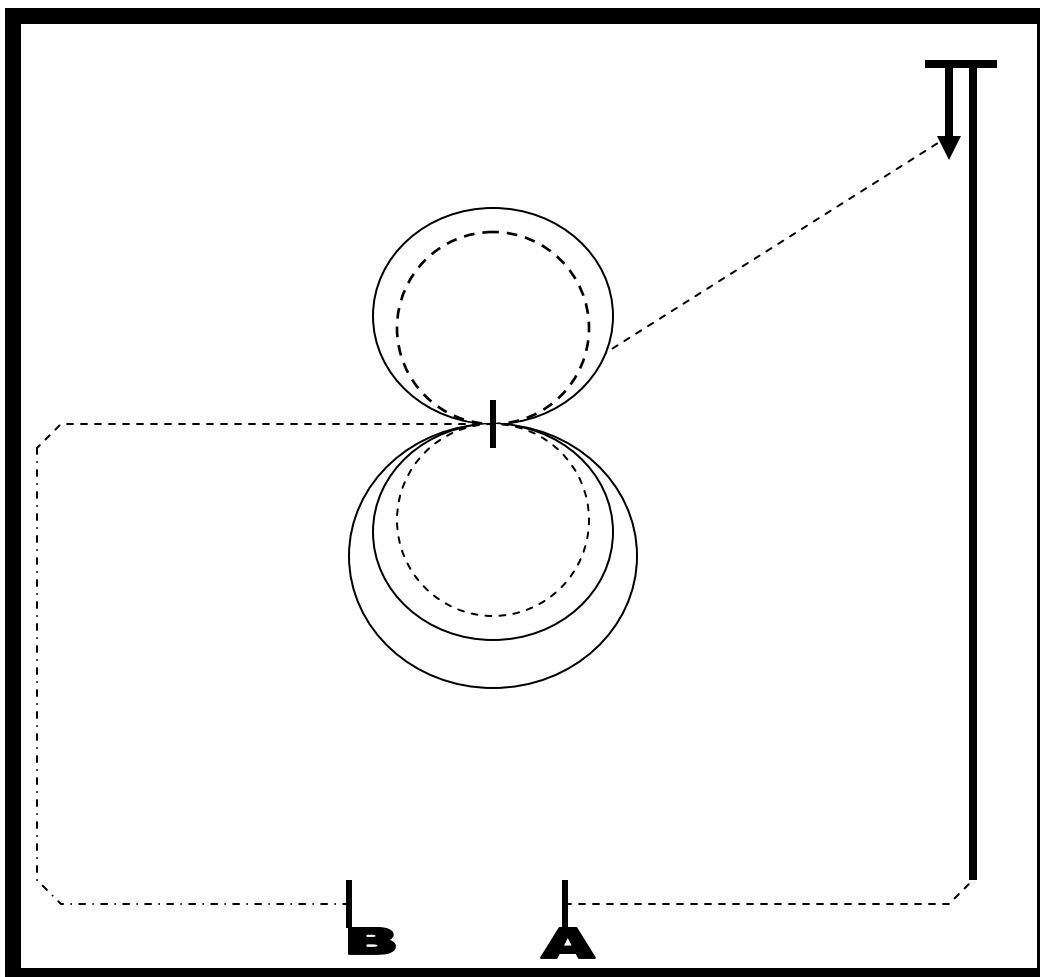


Intermediate Hunt Seat Gold Pattern #1



1. Wait at A, proceed at a sitting trot left track to the corner.
2. At corner begin canter on correct lead, immediately length to a hand gallop along the rail.
3. Stop before the next corner; execute a 180-degree left haunch turn and back five (5) steps.
4. Do a posting trot to the middle of the arena, halt.
5. Trot one figure 8 with diagonal changes; halt.
6. Canter figure-8 starting to the left; with flying lead changes, halt.
7. Posting trot to rail, turn left, and extend trot to cone B.
8. Halt at cone and stand for 8 seconds.
9. Wait to be excused by judge.